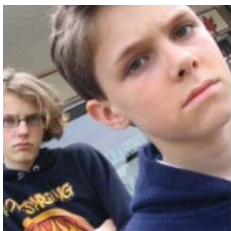


MOSQUITO

Ultra-Sonic Youth Crowd Dispersal System

The Mosquito is a non-invasive device that has been specifically designed to disperse groups of youths who may be loitering in areas where they could prove to be a nuisance. It is an effective deterrent that causes no physical pain or damage, even in the event of long term exposure.



Features:

The system generates a pulsed, near ultra-sonic tone at around 16KHz, close to the limit of the hearing range of people under 25 years of age. The sound, though not painful in any way, becomes highly annoying after 5 or so minutes exposure. The result is that most under 20s leave the immediate area, whilst the majority of those over the age of 30, because of natural age-related hearing loss, either just hear, or, as in most cases, are totally unaware of any noise at all.

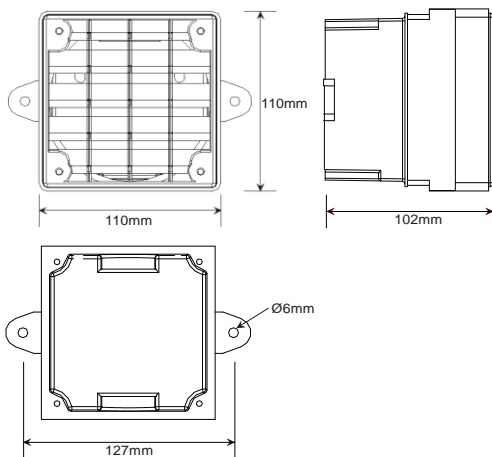
- Automatic or manual triggering
- The unit incorporates a 20-minute cut-off timer to avoid unnecessary annoyance
- Robust vandal / weatherproof housing
- Complies with the HSE 2005 Guidelines and is already widely used by police and local authorities around the UK

MOSQUITO

Ultra-Sonic Youth Crowd Dispersal System

DIMENSIONS:

Direct Wall Mounting



Part No.	Description
MSQ2	Mosquito2 Unit
MSQCQ	Vandal-resistant, protective metal cage
AXPTU	Plug-top power supply unit with 13A plug
AXPSU	Boxed 230vAC/12vDC power supply unit (Battery not supplied)
MSQBKT	Fixed angle mounting bracket
762rEUR-00	Dual-channel radio receiver (needs an AXPTU or an AXPSU)
722rEUR-00	4-button remote control radio fob transmitter

SPECIFICATIONS:

VOLTAGE

12Vdc

TONES

Single tone above 16KHz

SOUND OUTPUT

High and low setting with automatic ambient compensation

COMPENSATION

Output is automatically increased to be 5 to 8dB above the ambient, up to the maximum for each setting

OPERATION

Setting 1 - Tone operates for 20 mins then silences and awaits retrigger

Setting 2 - Tone operates continuously until switched off

ACTIVATION

Mode 1 - Alarm operates at power on

Mode 2 - Alarm operates in response to external trigger (PIR etc.)

Mode 3 - Alarm operates in response to built-in vox switch (noise activation)

PROTECTION

Vandal and weather resistant IP65 enclosure suitable for external use

TEMPERATURE

-20° to +70°C

MATERIAL

Diecast zinc alloy and steel

MOUNTING

Wall mounting, angle bracket available

COLOUR

Grey