



**2MP HD TVI**

**2.8mm Fixed Lens**

**Turret Camera**

**2MP**

**CAM HD FLD 2**

**30M IR  
SMART IR**

This camera offers features including Dark Destroyer Technology for superb quality 2MP HD images, even in total darkness! With wide angle 2.8mm Fixed Lens and up to 30M Smart IR

## KEY FEATURES

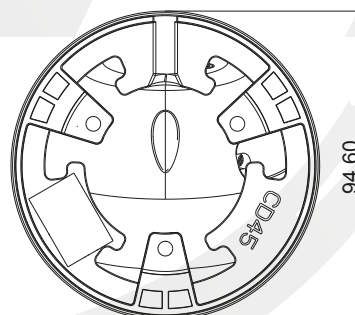
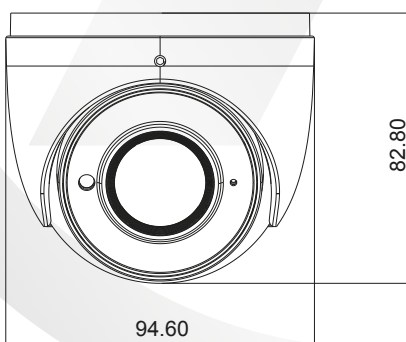
- 1080P real-time video image
- AHD / TVI / CVI / CVBS video output
- CMOS progressive scan, perfectly capturing moving objects
- OSD menu
- Up to 300m transmission distance
- Auto colour to B / W at low illumination
- Support ICR switch, true day / night, digital WDR
- Up to 30m Smart IR distance
- IP67
- Coax control

**CAM HD FLD 2**

# SPECIFICATION



Camera	CAM HD FLD 2	
Image Sensor	1 / 2.9 "CMOS	
Resolution	2MP	
Image Size	1920 x 1080	
Video Output	AHD / TVI / CVI/ CVBS	
Image System	PAL / NTSC	
Electronic Shutter	Auto; 1 / 50s ~ 1 / 100000s ( PAL );	1 / 60s ~ 1 / 100000s ( NTSC )
IR Distance	20 ~ 30 m	
Frame Rate	30fps(60Hz); 25fps (50Hz)	
Min. Illumination	0 lux (IR ON)	
Lens	2.8 mm	
Lens Mount	M12	
S / N Ratio	≥52dB ( AGC OFF )	
Ingress Protection	IP 67	
<b>Functions</b>		
Function Control	OSD ( COC Control )	
Day & Night	ICR	
Digital WDR	Yes	
Digital NR	Yes	
AGC	Yes	
Auto White Balance	Yes	
BLC	Yes	
LSC	Yes	
Defog	No	
HLC	No	
Sharpness	Yes	
Mirror	Yes	
Smart IR	Yes	
Image Setting	Yes	
Defect Correction	Yes	
Language	Chinese and English	
Angle Adjustment	Pan: 0°~360°; Tilt: 0°~75°; Rotation: 0°~360°	
<b>Others</b>		
Power Supply	DC12V ( ± 10% )	
Power Consumption	IR OFF : 1W; IR ON : 3W	
Working Environment	- 30 °C ~ 50 °C, 10 % ~ 90 % (relative humidity)	
Dimensions ( mm )	Ø 94.6 x 82.8	
Weight ( net )	Approx. 0.39KG	



CAM HD FLD 2 G

CAM HD FLD 2 W