



2MP WDR Starlight IR Bullet Camera



UIPC2322EBR5-DUPZ-C

KEY FEATURES

Optics

- Super starlight illumination
- Day/night functionality
- Smart IR, up to 50m (164 ft) IR distance
- Up to 120 dB Optical WDR (Wide Dynamic Range)
- 2D/3D DNR (Digital Noise Reduction)

**50M IR
SMART IR**



Compression

- Ultra 265, H.265, H.264, MJPEG
- Embedded smart algorithm
- Triple streams
- ROI (Region of Interest)
- 9:16 corridor mode
- Customized OSD

Structure

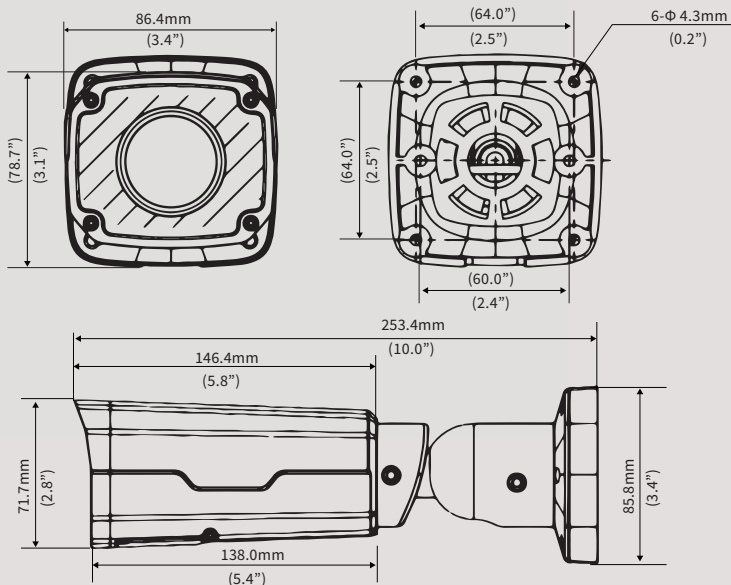
- Support PoE power supply
- Wide temperature range: -35°C to 60°C (-31°F to 140°F)
- Wide voltage range of $\pm 25\%$
- IP67

Network

- ONVIF Conformance



DIMENSIONS



BRACKETS



Pole Mount Bracket
Code: **UTR-UP06-IN**



Junction Box
Code: **UTR-JB07-IN**

**“Delivers crystal
clear images!”**



SPECIFICATION



Camera	UIPC2322EBR5-DUPZ-C	
Sensor	1/2.8", progressive scan, 2.0megapixel, CMOS	
Lens	2.7~13.5mm, AF automatic focusing and motorized zoom lens	
Angle of view(H)	121.36°~ 33.51°(H)	
Shutter	Auto/Manual, shutter time: 1~1/100000 s	
Min. Illumination	Colour: 0.0005Lux (F1.2, AGC ON) 0 Lux with IR on	
Day/Night	IR-cut filter with auto switch (ICR)	
IR Range	Up to 50m (164 ft) IR range	
Digital Noise Reduction	2D/3D DNR	
S/N	>52dB	
IR Range	Up to 50m (164 ft) IR range	
Defog	Digital Defog	
WDR	120dB	
Video		
Video Compression	Ultra 265, H.265, H.264, MJPEG	
H.264 code profile	Baseline profile, Main Profile, High Profile	
Frame Rate	Main Stream:2MP (1920×1080):Max. 30 fps; Sub Stream:2MP (1920×1080):Max. 30fps; Third Stream: D1(720×576):Max. 30fps	
9:16 Corridor Mode	Supported	
HLC	Supported	
BLC	Supported	
OSD	Up to 8 OSDs	
Privacy Mask	Up to 8 areas	
ROI	Up to 8 areas	
Motion Detection	Up to 4 areas	
Smart		
Behavior Detection	Intrusion, cross line, motion detection	
Exception Detection	Audio detection	
Intelligent Identification	Face detection, Defocus ,Scene Change	
Statistical Analysis	People counting	
General Function	Watermark, IP Address Filtering, Tampering Alarm, Alarm input, Alarm output, Access Policy, ARP Protection, RTSP Authentication, User Authentication	
Audio		
Audio Compression	G.711	
Two-way audio	Supported	
Suppression	Supported	
Sampling Rate	8 KHZ	
Storage		
Edge Storage	Micro SD, up to 128 GB	
Network Storage	ANR	
Network		
Protocols	IPv4, IGMP, ICMP, ARP, TCP, UDP, DHCP, PPPoE, RTP, RTSP, RTCP, DNS, DDNS, NTP, FTP, UPnP, HTTP, HTTPS, SMTP, 802.1x, SNMP	
Compatible Integration	ONVIF(Profile S, Profile G), API	
Interface		
Audio I/O	Input: impedance 35 kΩ; amplitude 2 V [p-p]	Output: impedance 600 Ω; amplitude 2 V [p-p]
Alarm I/O	1 / 1	
Network	1 RJ45 10M/100M Base-TX Ethernet	
General		
Power	12 V DC±25%, PoE (IEEE802.3 af) Power consumption: Max 10W	
Dimensions (L × W × H)	146.3 ×86 ×71.7 mm(57.6" × 3.4" × 2.8")	
Weight	0.58kg (1.28lb)	
Working Environment	-35°C ~ +60°C (-31°F ~ 140°F), Humidity :10%~ 90% RH(non-condensing)	
Ingress Protection	IP67	



ULTRA STARLIGHT

"Unbeatable Lowlight Performance – stays in colour"

