

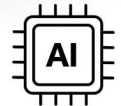


5MP LightHunter Deep Learning Dome Network Camera

UIPC3235SS-DZK-IO



**40M IR
SMART IR**



KEY FEATURES

Optics

- 1/2.7", Powered by lighthunter
- SmartIR, up to 40m (131 ft) IR distance
- Up to 120 dB Optical WDR (Wide Dynamic Range)

Smart

- Smart intrusion prevention, support false alarm filtering, include Cross Line, Intrusion, Enter Area, Leave Area detection

Compression

- Ultra 265, H.265, H.264, MJPEG
- Triple streams
- 2592*1944@20fps in the main stream
- ROI (Region of Interest)

Structure

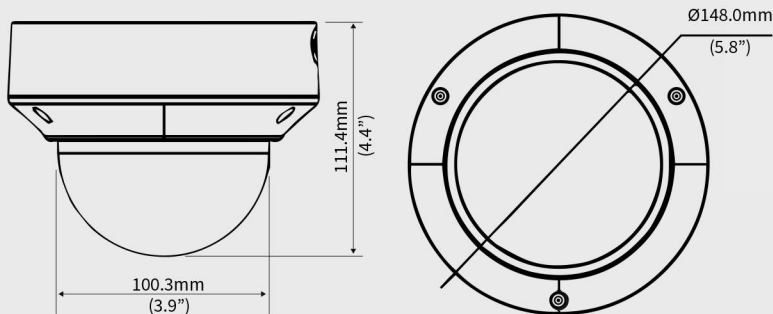
- DC12V or PoE power supply
- Wide voltage range of $\pm 25\%$ in DC
- Micro SD, up to 256 GB
- Alarm 1 in and 1 out, Audio 1 in and 1 out
- IP67 ingress protection
- IK10 vandal resistant

Network

- ONVIF Conformance



DIMENSIONS



BRACKETS



Cable termination extension ring
Code: [UTR-JB04-C-IN](#)



Wall mount + Junction box
Code: [UTR-JB07/WM04-IN](#)



In-ceiling mount
Code: [UTR-FM152-A-IN](#)



SPECIFICATION



Camera	UIPC3235SS-DZK-I0				
Sensor	1/2.7", 5.0 megapixel, progressive scan, CMOS				
Lens	2.7~13.5mm@F1.2, AF automatic focusing and motorized zoom lens				
Iris	Auto aperture				
DORI Distance	Lens	Detect(m)	Observe(m)	Recognize(m)	Identify(m)
	2.7mm	70.9(232.5ft)	28.4(93.0ft)	14.2(46.5ft)	7.1(23.3ft)
	13.5	247.5(812.0ft)	99.0(324.8ft)	49.5(162.4ft)	24.8(81.2ft)
Angle of View (H)	26.8°~93.1°				
Angle of View (V)	20.7°~66.0°				
Angle of View (O)	31.6°~121.0°				
Shutter	Auto/Manual, 1 ~ 1/100000s				
Adjustment angle	Pan: 0°~355°		Tilt: 0°~80°	Rotate: 0°~355°	
Min. Illumination	Colour:0.002lux (F1.2, AGC ON)		0 lux with IR		
WDR	120dB				
Day/Night	IR-cut filter with auto switch (ICR)				
IR Range	Up to 40m (131 ft) IR range				
Wavelength	850nm				
IR On/Off Control	Auto/Manual				
Defog Digital	Defog				
Video					
Video Compression	Ultra 265, H.265, H.264, MJPEG				
Frame Rate	Main Stream: 5MP(2592*1944),Max 20fps; 4MP(2560*1440),Max 30fps;				
	Sub Stream: 2MP (1920*1080), Max 30fps;				
	Third Stream: D1 (720*576), Max 30fps				
Video Bit Rate	128 Kbps~16 Mbps				
ROI	Supported				
Video stream	Triple streams				
OSD	Up to 8 OSDs				
Privacy Mask	Up to 8 areas(8 blacks/4 mosaics+4 blacks)				
Image					
White Balance	Auto/Outdoor/Fine Tune/Sodium Lamp/Locked/Auto2				
Digital noise reduction	2D/3D DNR				
Smart IR	Support				
Flip	Normal/Flip Vertical/Flip Horizontal/180°/90°Clockwise/90°Anti-clockwise				
HLC	Support				
BLC	Support				
Smart					
Smart intrusion	Support false alarm filtering: Line crossing detection, Intrusion detection, Region entrance detection,				
	Region exit detection; Motion detection;				
Recognition	Audio detection				
General Function	Watermark, IP Address Filtering, Tampering Alarm, Alarm input, Alarm output, Access Policy, ARP Protection,				
	RTSP Authentication, User Authentication				

Camera	UIPC3235SS-DZK-I0
Audio	
Audio Compression	G.711U, G.711A
Two-way Audio	Supported
Suppression	Supported
Sampling Rate	8KHZ
Storage	
Edge Storage	Micro SD, up to 256 GB
Network Storage	ANR,NAS(NFS)
Network	
Protocols	IPv4, IGMP, ICMP, ARP, TCP, UDP, DHCP, PPPoE, RTP, RTSP, RTCP, DNS, DDNS, NTP, FTP, UPnP, HTTP, HTTPS, SMTP, 802.1x, SNMP, QoS, RTMP
Compatible Integration	ONVIF (Profile S, Profile G, Profile T), API
Client	EZStation
	EZLive
	Ezview
Web Browser	Plug-in required live view: IE9+, Chrome 41 and below, Firefox 52 and below
Interface	
Audio I/O	Audio cable
	1 Input: impedance 35kΩ; amplitude 2V [p-p]
	1 output: impedance 600Ω; amplitude 2V [p-p]
Alarm I/O	1/1
Network	1 * RJ45 10M/100M Base-TX Ethernet
Certification	
Certifications	CE: EN 60950-1
	UL: UL 60950-1
	FCC: FCC Part 15
General	
Power	DC12V(±25%), PoE(IEEE 802.3af)
	Power consumption: Max 10.3W
	Support overcurrent protection, Input short circuit protection
Dimensions (Ø x H)	Φ148.0 x 111.4mm (Φ5.8" x4.4")
Weight	0.93kg(2.05lb)
Working Environment	-40°C~60°C(-40°F ~ 140°F)≤95%RH
Storage Environment	-40°C~70°C(-40°F ~ 158°F)≤95%RH
Surge protection	6KV
Vandal Resistant	IK10
Ingress Protection	IP67

N O W A V A I L A B L E

Ensure accuracy and eliminate false alarms with AI SMART analytics which allow you to distinguish between types of vehicles & pedestrians!