



# 5MP - H.265 Fixed Lens Network Turret

**UIPC3615ER3-ADUPF28**

## KEY FEATURES

### Optics

- Day/night functionality
- Optical glass window with higher light transmittance
- IR anti-reflection window to increase the infrared transmittance
- Smart IR, up to 30 m (98 ft) IR distance
- 2D/3D DNR (Digital Noise Reduction)

### Compression

- Ultra 265, H.265, H.264, MJPEG
- Embedded smart algorithm
- Triple streams
- 9:16 corridor mode

### Network

- ONVIF Conformance

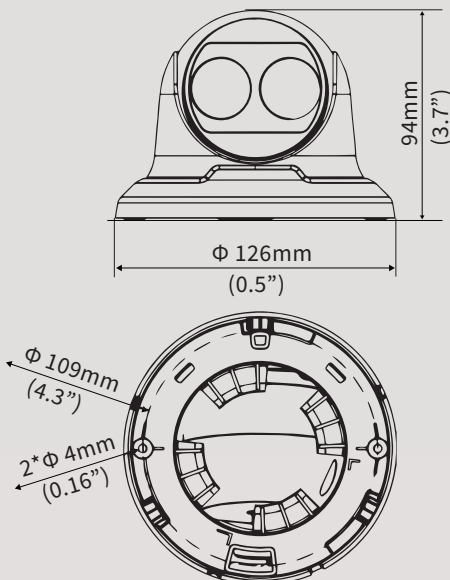
### Structure

- Wide temperature range: -35°C to 60°C (-31°F to 140°F)
- Wide voltage range of  $\pm 25\%$
- 4 KV surge protection designed for network interface
- IP67

**30M IR**



## DIMENSIONS



## BRACKETS



Pole Mount Bracket  
Code: [UTR-UP06-IN](#)



Wall mount + Junction box  
Code: [UTR-JB07/WM03-A-IN](#)



Junction Box  
Code: [UTR-JB03-C-IN](#)



**UIPC3615ER3-ADUPF28**

# SPECIFICATION



Camera	<b>UIPC3615ER3-ADUPF28</b>	
Sensor	1/2.7", progressive scan, 5.0 megapixel, progressive scan, CMOS	
Lens	2.8mm@F1.876.8°	
Angle of view (H)	109.9°	
Minimum Illumination	Colour: 0.06 Lux (F1.8, AGC ON)	
	0 Lux with IR	
Shutter	Auto/Manual, 1/6~1/100000 s	
Day/Night	IR-cut filter with auto switch (ICR)	
Digital noise reduction	2D/3D DNR	
S/N	>52dB	
IR Range	Up to 30m (98 ft) IR range	
Defog	Digital Defog	
WDR	DWDR	
<b>Video</b>		
Video Compression	Ultra 265,H.265, H.264, MJPEG	
H.264 code profile	Baseline profile, Main Profile, High Profile	
Frame Rate	Main Stream:2MP (1920×1080): Max. 30 fps;	
	Sub Stream:2MP (1920×1080): Max. 30 fps;	
	Third Stream:D1 (720×576): Max. 30 fps	
HLC	Supported	
BLC	Supported	
9:16 Corridor Mode	Supported	
OSD	Up to 8 OSDs	
Privacy Mask	Up to 8 areas	
ROI	Up to 8 areas	
Motion Detection	Up to 4 areas	
<b>Smart</b>		
Behavior Detection	Intrusion, cross line, motion detection	
Intelligent Identification	Face detection, Defcous, Scene Change	
Statistical Analysis	People counting	
General Function	Watermark, IP Address Filtering, Tampering Alarm, Access Policy, ARP Protection, RTSP Authentication, User Authentication	
<b>Network</b>		
Protocols	IPv4, IGMP, ICMP, ARP, TCP, UDP, DHCP, PPPoE, RTP, RTSP, RTCP, DNS, DDNS, NTP, FTP, UPnP, HTTP, HTTPS, SMTP, 802.1x	
Compatible Integration	ONVIF(Profile S), API	
<b>Interface</b>		
Network	1 RJ4510M/100M Base-TX Ethernet General	
Power	12 V DC±25%, PoE (IEEE802.3 af)	Power consumption: Max 5.5W
Dimensions (Ø x H)	Φ126 x 94 mm (Ø5.0" x 3.7")	
Weight	0.33 kg (0.73lb)	

**“We challenge you to find a more robust, reliable & clearer image 5MP metal turret camera!”**



**UIPC3615ER3-ADUPF28**