



4MP WIFI Bullet Network Camera



UIPC2124LR3-F40W-D

KEY FEATURES

Optics

- Day/night functionality
- Smart IR , up to 30 m (98 ft) IR distance
- Optical glass window with higher light transmittance
- IR anti-reflection window to increase the infrared transmittance
- 2D/3D DNR (Digital Noise Reduction)

**30M
SMART IR**

Network

- ONVIF Conformance
- Wireless IEEE 802.11b/g/n

Compression

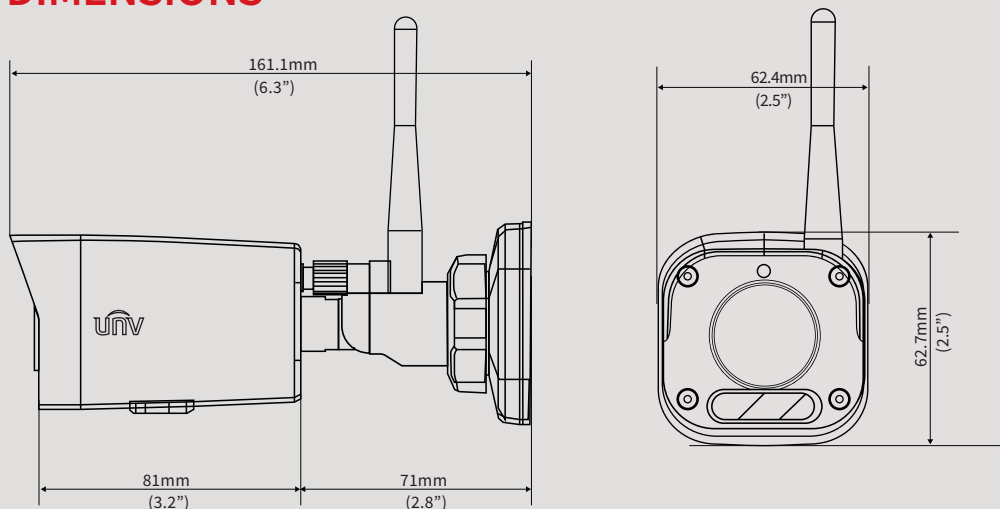
- Ultra 265,H.265, H.264, MJPEG
- Triple streams

Structure

- Wide temperature range:-30°C ~ +60°C (-22°F ~ 140°F)
- Wide voltage range of $\pm 25\%$ • IP67



DIMENSIONS



BRACKETS



Junction Box
Code: [UTR-JB05-IN](#)



SPECIFICATION



Camera	UIPC2124LR3-F40W-D					
Sensor	1/2.7"; 4.0 megapixel, progressive scan, CMOS					
Lens	4.0mm@F2.0					
DORI Distance	Lens	Detect(m)	Observe(m)	Recognize(m)	Identify(m)	
	4mm	80	32	16	8	
Angle of View (H)	86.5°					
Angle of View (V)	44.1°					
Angle of View (O)	106.4°					
Shutter	Auto/Manual, 1~1/100000 s					
Minimum Illumination	Colour: 0.02 Lux (F2.0 AGC ON)					
	0 Lux with IR on					
Day/Night	IR-cut filter with auto switch (ICR)					
Digital noise reduction	2D/3D DNR					
S/N	>52 dB					
IR Range	Up to 30m (98 ft) IR range)					
Defog	Digital Defog					
WDR	DWDR					
Video						
Video Compression	Ultra 265, H.265, H.264, MJPEG					
H.264 code profile	Baseline profile, Main Profile					
Frame Rate	Main Stream: 4MP (2560×1440): Max. 15 fps; 2MP (1920×1080): Max. 15 fps;					
	Sub Stream: 720P (1280×720): Max. 15 fps;					
	Third Stream: 4CIF (704×576): Max. 15 fps					
HLC	Supported					
BLC	Supported					
OSD	Up to 4 OSDs					
Privacy Mask	Up to 4 areas					
ROI	Up to 2 areas					
Motion Detection	Up to 4 areas					
Smart						
Behavior Detection	Intrusion, Motion detection, Tampering alarm					
Intrusion	Enter and loiter in a pre-defined virtual region					
Storage						
Edge Storage	Micro SD, up to 256 GB					
Network Storage	ANR					
Network						
Protocols	IPv4, IGMP, ICMP, ARP, TCP, UDP, DHCP, RTP, RTSP, RTCP, DNS, DDNS, NTP, FTP, UPnP, HTTP, HTTPS, SMTP, QoS					
Compatible Integration	ONVIF(Profile S, Profile G, Profile T), API					

SPECIFICATION



Wi-Fi	
Wireless Standards	IEEE802.11b/g/n
Frequency Range	2.4 GHz ~ 2.4835 GHz
Channel Bandwidth	20 MHz Support
Modulation Mode	802.11b: CCK, QPSK, BPSK 802.11g/n: OFDM/HT
Security	64/128-bit WEP, WPA-PSK/WPA2-PSK
Transmit Power	802.11b: 17±1.5dBm @11Mbps 802.11g: 14±1.5dBm @ 54Mbps 802.11n: 12.5±1.5dBm @150Mbps
Receive Sensitivity	802.11b: -90dBm @11Mbps (Typical) 802.11g: -75dBm @54Mbps (Typical) 802.11n: -74dBm @150Mbps (Typical)
Transmission Rate	802.11b: 11Mbps 802.11g: 54Mbps 802.11n: up to 150Mbps
Interface	
Network	1 RJ45 10M/100M Base-TX Ethernet
General	
Power	DC 12V±25% Power consumption: Max 4 W
Dimensions (L × W × H)	161.1 × 62.4 × 62.7 mm (6.3" × 2.5" × 2.5")
Weight	0.25 kg (0.55 lb)
Working Environment	-30°C ~ +60°C (-22°F ~ 140°F), Humidity: ≤95% RH(non-condensing)
Ingress Protection	IP67
Reset Button	Supported
Indicator Light	Supported