



VueNet

PoE Ethernet Repeater



VN POE EXT

Features

- Each PoE Extender can extend data & power signal to 100m & cascade connections up to 400m
- Real-time with no time delay – no store & forward technology
- Anti-ESD & anti-surge protection
- Simple Plug & Play – no software & agreement transformation necessary
- Easy installation possibilities – splicing, desktop or wall-mounted
- Supports IEEE 802.3u 100Base-TX, IEEE 802.3 af/at standards

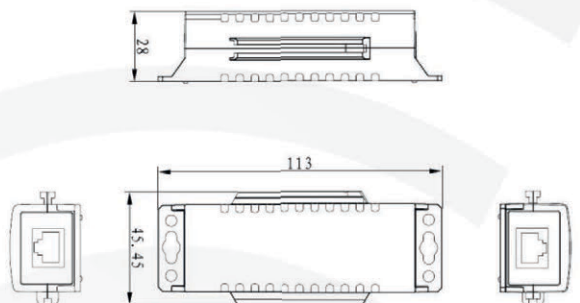
Product Overview

VueNet's PoE Ethernet Extender transmits data and power through a single Ethernet cable, solving the 100m transmission distance limitation of devices such as IP CCTV cameras. The maximum power consumption transmission is up to 30 watts, which can supply 25.4 watts of power consumption for terminal devices. You can really get more out of your installation by cascading up to 3 devices, reaching a maximum of 400m transmission distance. It can also support 100Mbps full-duplex transmission mode with anti-ESD and anti-surge protection. It's been designed to meet the IEEE 802.3u 100Base-TX and IEEE 802.3af/at standards.

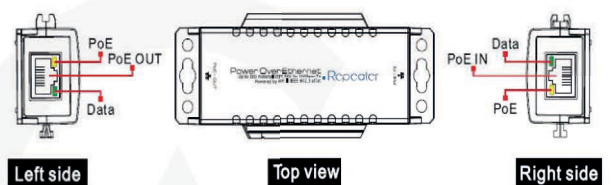
Application



Physical Features



Interface Drawing



Specification

Model	VN POE EXT
PoE In Port	1* 10/100Base-Tx
PoE Out Port	1* 10/100Base-Tx
Transmission Media	Cat5e/6
Transmission distance	Max:400m
Network standard	IEEE802.3、IEEE802.3u
Delay	<20us
PoE Standard	802.3af/at
PsE Type	End-span and Mid-span
Power Pin Assignment	1/2(+),3/6(-) ; 4/5(-),7/8(+)
PoE Power Output	30w
Lightning protection	2KV Execute : IEC61000-4-5
ESD	6KV Contact discharge
	8KV Air discharge
	Execute : IEC61000-4-2
Power Supply	PoE
Power Dissipation	<3W
Work temperature	-10°C~55°C
Storage temperature	-40°C~85°C
Humidity(Non-condensin)	5%-95%
Dimension (L×W×H)	113mm×45.5mm×29mm
Weight	50g
EMC/Safety	CE、FCC、ROHS