

Clarius®



Medium IR LED Illuminator

The Clarius® Plus range of high performance Infra-Red LED illuminators are designed to provide class leading performance, long life and ultra low maintenance.

Incorporating the latest surface mount Dual Core® LED's with enhanced optical output and outstanding reliability, they deliver excellent night-time images.

Each unit is fitted with integrated control circuitry to carefully control LED output, delivering consistent illumination and projected working life in excess of 10 years.

The Clarius® Plus range of illuminators includes a new interchangeable lens diffuser system; which allows the user to quickly and easily alter the angle of illumination. Elliptical beam profiles allow more light to be delivered where it is needed, allowing both longer distances and minimising light wastage. The system also helps to prevent overexposure of foreground objects.

As standard the illuminator includes interchangeable lensing to deliver 10° circular, 30°, 60° and 95° elliptical beam profiles.

Installation is quick and easy, requiring only 12-32V DC / 24V AC +/- 10%.

PRODUCT CODES

IM-8 Medium Clarius PLUS Infra-Red Illuminator 850nm

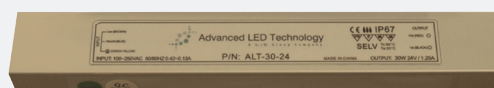
IM-9 Medium Clarius PLUS Infra-Red Illuminator 940nm

FEATURES

Latest Dual Core® SMT LED technology
Distances up to 187m (614')
Angle 10°, 30°, 60° & 95°
850nm or 940nm wavelengths
Low power consumption (26W)
Long life
5 year warranty
IP66 weather proof rating
Built-in photocell IR on/off
Photocell following contact
Telemetry input for remote switching
12-32V DC / 24V AC +/- 10%
CleanLITE® self cleaning lens coating technology
Elliptical beam profiles
High quality anodised aluminium heatsink
Pressure equalisation vent

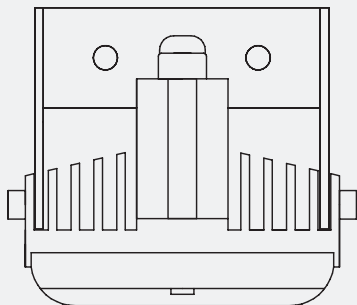
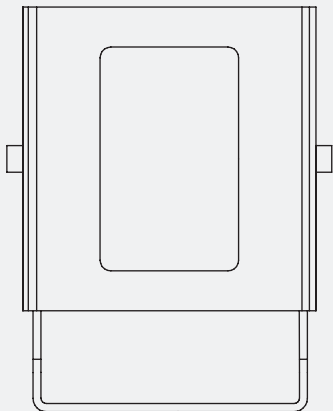
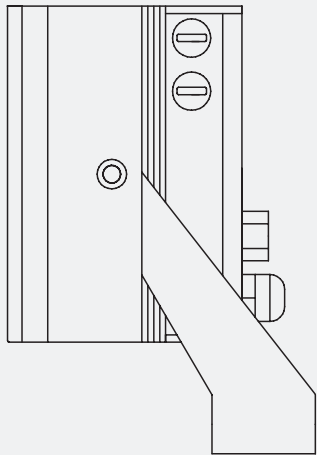


Recommended PSU ALT-30-24



Product Code	Wavelength	Angle	Distance		FOV	
IM-8	850nm	10° - Circular	187m	614'	33m	107'
		30° - Elliptical	94m	307'	50m	164'
		60° - Elliptical	60m	195'	69m	225'
		95° - Elliptical	30m	98'	65m	213'
IM-9	940nm	10° - Circular	115m	376'	20m	66'
		30° - Elliptical	65m	213'	35m	114'
		60° - Elliptical	40m	131'	46m	152'
		95° - Elliptical	20m	66'	44m	143'

TECHNICAL SPECIFICATIONS



GENERAL

Electronics

High Efficiency Surface Mount High Power **Dual Core**® LEDs with Advanced Current Limited Integral Control Circuitry

Construction Front Window

Robust High Quality Aluminium Extrusion
Polycarbonate High Transmission Protective (Vandal Proof) IR Filter with **CleanLITE**® Technology

Finish

Black Anodised

Power Cable

3m (9ft) including Photocell Following Contact & Remote Telemetry Input

Pressure Equalisation Vent

Prevents Thermal Expansion & Pressure Cycling

Photocell

Adjustable 20 -70 Lux

Illumination

Adjustable 10% - 100%

Operating Temperature

-50° to 50°C (-58° to 122°F)

Weight

1.05Kg (2.3lbs)

Mount

Powder Coated Stainless Steel Wall Mount

Dimensions

114 x 110 x 78mm (4.49" x 4.33" x 3.07")

ELECTRICAL

Input Voltage

12-32V DC or 24V AC +/- 10%

Input Current

1.2A at 24V AC

Consumption

26W

WAVELENGTH

Standard

850nm (Semi Covert). Faint Red Glow Only

Optional

940nm (Covert). Minimal Visible Glow

CERTIFICATIONS

WEEE

Waste Electrical & Electronic Equipment European Directive 202/96/EC

Environmental

IEC/EN 60529

IP66

RoHS

Restriction Of Hazardous Substance European Directive 202/95/EC

IEC/EN 62262

EN 50130-5

IK09

(Alarm-environmental)

N2580, EN 50581

(RoHS), REACH

CE-EMC

EN 61547
EN 55015
EN 62493
EN 50130-4

(Lighting-Immunity)
(Lighting-Emission)
(Lighting-EMF)
(Alarm-EMC)

USA

cULus

UL 2108

UL 8750

Class B

FCC

AUS

RCM (AS/NZS CISPR 22 Class B)

CE-LVD

EN 60598-1
EN 60598-2-1
EN 62368-1 / EN 60950-22

(Luminaires-General)
(Luminaires)

Safety

EN 62471

(LED safety)

